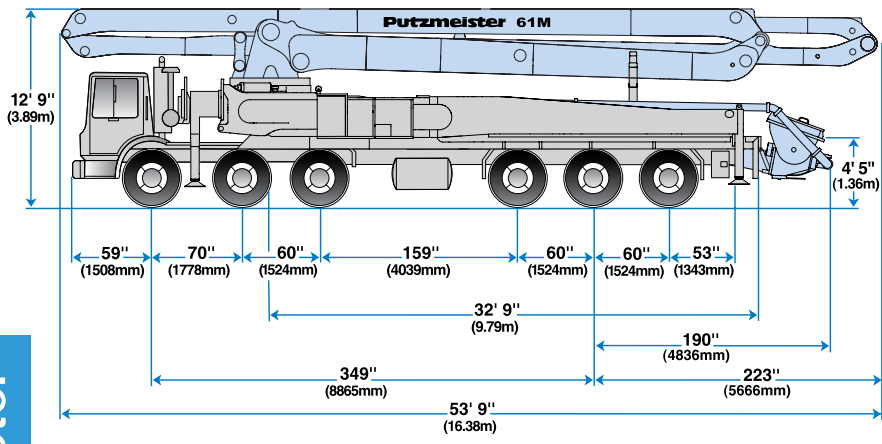
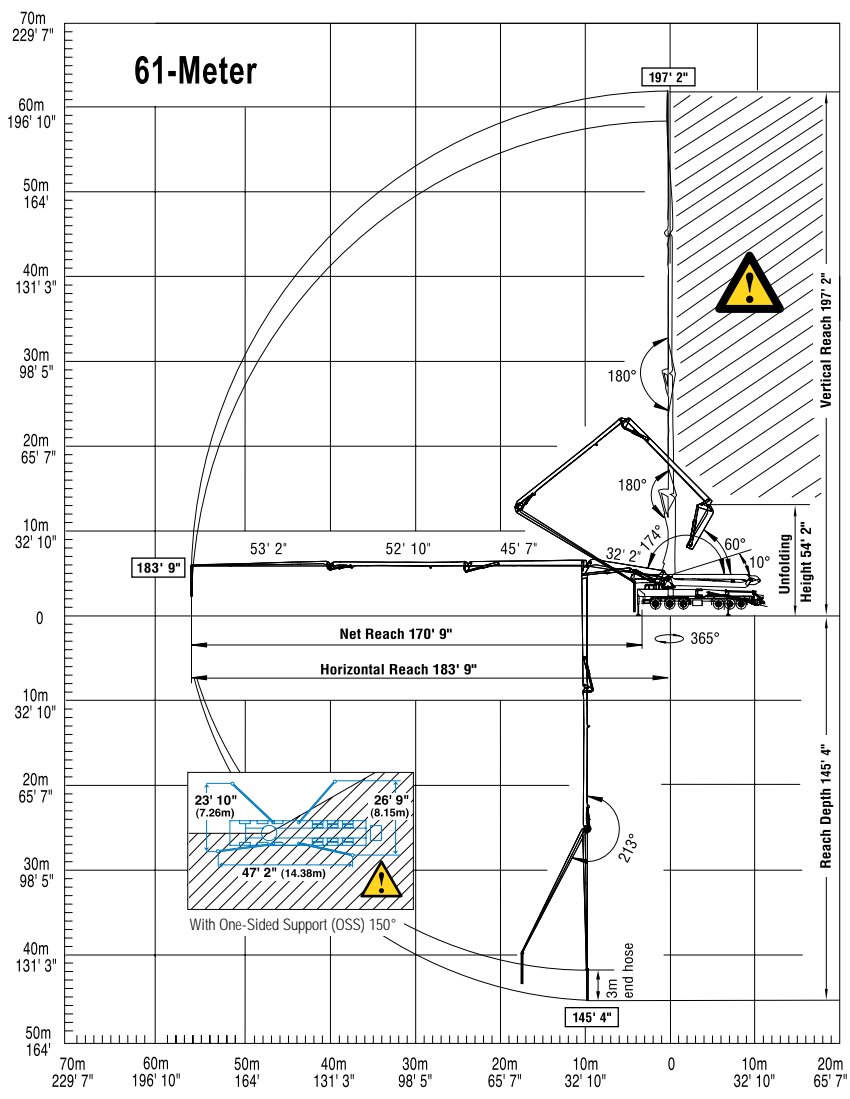


61-Meter

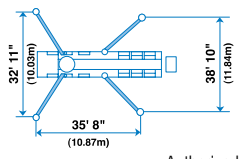


Range Diagram



⚠ End hose not to be operated in caution area.

Photos and drawings are for illustrative purposes only. For available options, please refer to price list.



Authorized Distributor



Putzmeister America, Inc.
1733 90th Street
Sturtevant, WI 53177 USA
Telephone (262) 886-3200
(800) 884-7210
Facsimile (262) 884-6338
www.putzmeister.com



61-Meter Truck-Mounted Specifications

Based on Model MACK MRU 688S with .16H pump cell

Length	53' 9"	(16.38m)
Width	8' 2"	(2.50m)
Height	12' 9"	(3.89m)
Wheelbase	349"	(8,865mm)
Front axle weight	56,270 lbs	(25,524kg)
Rear axle weight	55,870 lbs	(25,342kg)
Approx. total weight	112,140 lbs	(50,866kg)

Weights are approximate and include pump, boom, truck, full hydraulic oil, driver and some fuel. Varies with options selected.
Dimensions will vary with different truck makes, models and specifications.

Boom Specifications • Roll-and-Fold Design

Height & Reach		
Vertical reach	197' 2"	(60.10m)
Horizontal reach	183' 9"	(56.01m)
Reach from front of truck*	170' 9"	(52.04m)
Reach depth	145' 4"	(44.30m)
Unfolding height	54' 2"	(16.51m)

4-Section Boom		
1st section articulation	174'	
2nd section articulation	180'	
3rd section articulation	180'	
4th section articulation	213'	
1st section length	32' 2"	(9.80m)
2nd section length	45' 7"	(13.89m)
3rd section length	52' 10"	(16.10m)
4th section length	53' 2"	(16.21m)

General Specs		
Pipeline size (ID) metric ends	4.6"	(117mm)
Rotation	365°	
End hose — length (lightweight)	10'	(3m)
End hose — diameter	4.5"	(115mm)
Outrigger spread L - R — front	32' 11"	(10.03m)
swing out, telescope & extend down		
Outrigger spread L - R — rear	38' 10"	(11.84m)
swing out & extend down		

Pump Specifications 61.16H 61.20H

Output — rod side	210 yd ³ /hr (160m ³ /hr)	—
piston side	146 yd ³ /hr (112m ³ /hr)	260 yd ³ /hr (200m ³ /hr)
Pressure — rod side	1233 psi (85 bar)	—
piston side	1885 psi (130 bar)	1233 psi (85 bar)
Material cylinder diameter	9" (230mm)	11" (280mm)
Stroke length	83" (2100mm)	83" (2100mm)
Max strokes per minute — rod side	31	—
piston side	21	26
Volume control	0-Full	0-Full
Vibrator	Standard	Standard
Hard-chromed material cylinders	Standard	Standard
Hydraulic system	Free Flow	Free Flow
Hydraulic system pressure	5075 psi (350 bar)	5075 psi (350 bar)
Differential cylinder diameter	5.5" (140mm)	5.5" (140mm)
Rod diameter	3.1" (80mm)	3.1" (80mm)
Maximum size aggregate	2.5" (63mm)	2.5" (63mm)
Water tank — outrigger	206 gal (780L)	206 gal (780L)

Maximum theoretical values listed.
* Applies to units mounted on PMA stock truck — MACK MRU 688S
• Standard delivery line system rated at max line pressure of 1233 psi (85 bar)